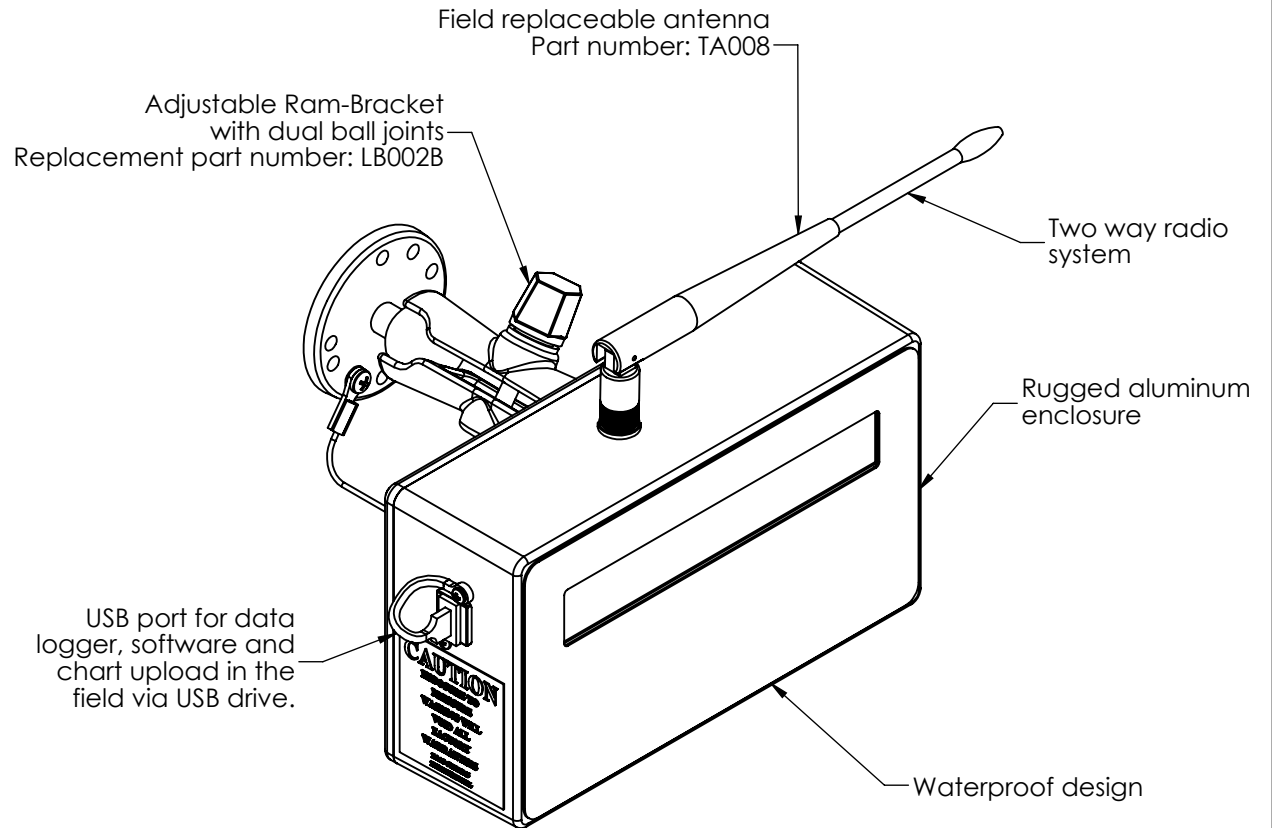


Ram Bracket Footprint.
Only 2 screws are necessary.

All dimensions are in inches
The information in this document is subject to change without notice



Weight Units	Pounds, short tons, long tons, kilograms, metric tons
Power supply required	10 to 30 VDC, 1A; plus 1A per lockout relay connected
Power supply cable	Not included. Part number: LB006; 6 way, 6ft length
Display	2 lines 20 characters LCD with adjustable contrast and night vision backlight
Data Logger Memory	More than 16,000 time stamped events
Output	Three internal mosfet relays, 1A each
Operating temperature	-22 to 167 °F, LCD visible from -13 to 167°F
Radio Frequency Band	900 MHz standard - European Community's 868 MHz as an option
Radio Power	15 dBm
Weight	2 lb
Options	One additional (fourth) relay; RS232 output

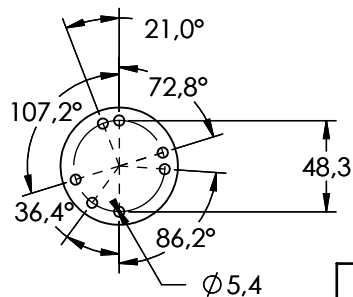
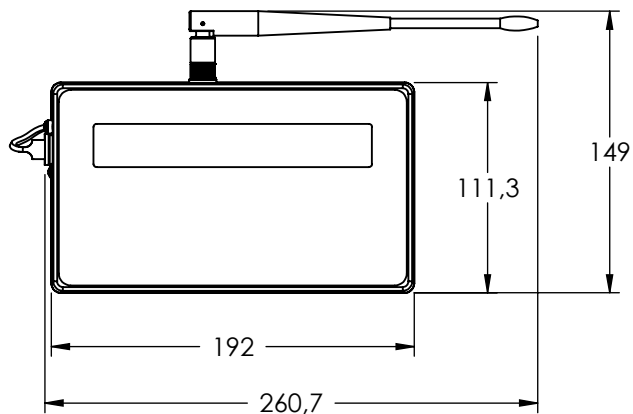
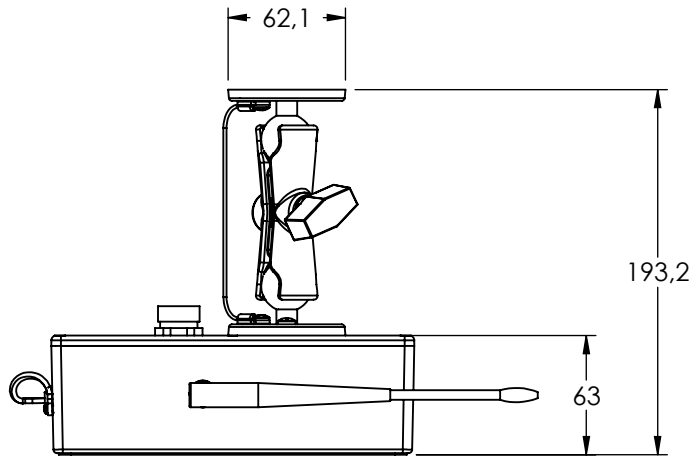
PROPRIETARY AND CONFIDENTIAL

THE INFORMATION CONTAINED IN THIS DRAWING IS THE SOLE PROPERTY OF LOAD SYSTEMS INTERNATIONAL. ANY REPRODUCTION IN PART OR AS A WHOLE WITHOUT THE WRITTEN PERMISSION OF LOAD SYSTEMS INTERNATIONAL IS PROHIBITED.



PART NO:	GS550	DWG NO:	DS-GS550	REV:	9
----------	-------	---------	----------	------	---

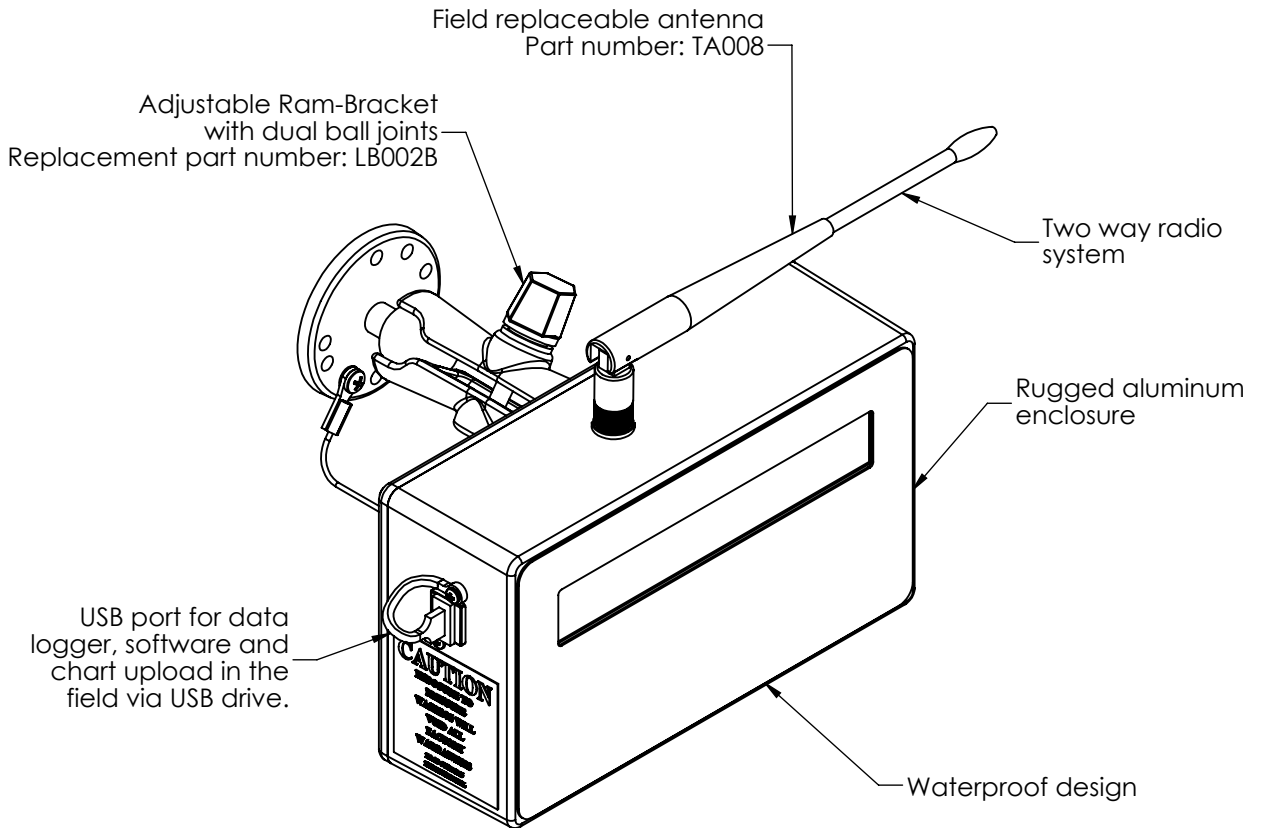
DESCRIPTION: **Wireless Display**



Ram Bracket Footprint.
Only 2 screws are necessary.

All dimensions are in mm

The information in this document is subject to change without notice



Weight Units	Pounds, short tons, long tons, kilograms, metric tons
Power supply required	10 to 30 VDC, 1A; plus 1A per lockout relay connected
Power supply cable	Not included. Part number: LB006; 6 way, 6ft length
Display	2 lines 20 characters LCD with adjustable contrast and night vision backlight
Data Logger Memory	More than 16,000 time stamped events
Output	Three internal mosfet relays, 1A each
Operating temperature	-30 to +75°C , LCD visible from -25 to 75°C
Radio Frequency Band	900 MHz standard - European Community's 868 MHz as an option
Radio Power	15 dBm
Weight	0.9 kg
Options	One additional (fourth) relay; RS232 output

PROPRIETARY AND CONFIDENTIAL

THE INFORMATION CONTAINED IN THIS DRAWING IS THE SOLE PROPERTY OF LOAD SYSTEMS INTERNATIONAL. ANY REPRODUCTION IN PART OR AS A WHOLE WITHOUT THE WRITTEN PERMISSION OF LOAD SYSTEMS INTERNATIONAL IS PROHIBITED.



Load Systems International

www.loadsystems.com

PART NO:	GS550	DWG NO:	DS-GS550	REV:	9
----------	-------	---------	----------	------	---

DESCRIPTION:
Wireless Display